



SOCIALIZING



SLIDING



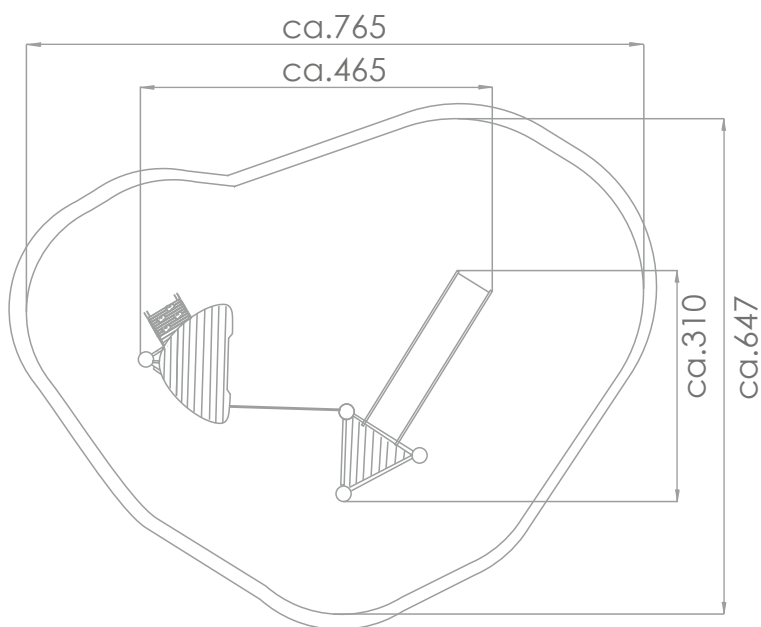
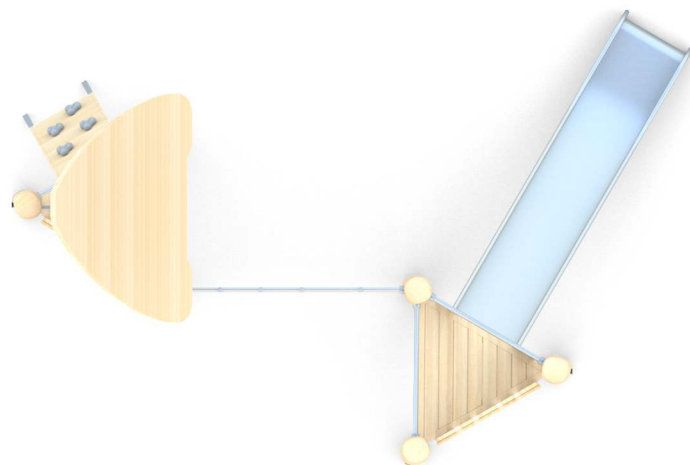
CLIMBING



### INFORMATION ABOUT THE PRODUCT

Dimensions	ca.465 x 310 cm
Safety zone	ca.765 x 647 cm
Overall height	ca.450 cm
Free fall height	ca.150 cm
Amount of users	9 persons
Product complies with PN-EN 1176-1:2017-12	YES
Availability of spare parts	YES
Age range	3-12
<small>According to EN 1176-1:2017-12 norm, the product requires applying a safety surface according to the product's free fall height.</small>	

Visualisation is for reference only,  
actual appearance may vary.



SCALE 1:100

MATERIALS:

NATURAL ROBINIA WOOD



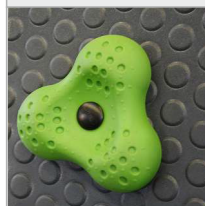
ELEMENTS  
CONSTRUCTION  
MADE OF STAINLESS STEEL  
AISI 304



SLIDES MADE  
OF STAINLESS STEEL  
AISI 304



CLIMBING ROCKS MADE  
OF CHIPPINGS AND  
COLOURFUL POLYESTER  
RESIN



POLYPROPYLENE ROPES  
PP - MULTISPLIT TYPE WITH  
A STEEL CORE AND  
A DIAMETER OF 16 MM



ROPE ENDINGS PRESSED IN  
A SLEEVE MADE OF DURABLE  
ALUMINUM ALLOY



SOLID AND ESTHETIC ROPE  
CONNECTORS MADE OF  
INJECTION MOLDED  
POLYAMIDE

